

Jules Petit Degos

Accessory Designer

Jules PETIT DEGOS

Master student at Institut Francais de la Mode

+33 783005762
jpetit@ifm-paris.fr
LinkedIn: Jules Petit Degos
Instagram: @julespetitdegos

° SKILLS

° DESIGN

- Pattern making
- Accessories
- Tailoring & Draping
- Sewing
- Technical Drawing
- Photography

° LANGUAGES

- French & English
- Learning Italian

° SOFTWARE

- Suite Adobe & Procreate
- Clo3D & Rhino

° PERSONALITY

° CREATIVE

° LISTENER

° SOCIABLE

° TEAM SPIRIT

° PERSEVERING

° MOTIVATED

° INTERESTS

° SPORT

- Long distances Triathlon
- Rugby
- Snowboard & Wakeboard

° CYCLING

° MUSIC

- Saxophone

° PHOTOGRAPHY

- Event photography
- Sport photography

° PROFESSIONAL EXPERIENCES & CONTESTS

- Winner **Ba&Sh x IFM** shoe contest 2024
- Winner of the **Manteco x IFM** sustainability Prize 2023
- Entrepreneurship certificate **Ami x IFM** entrepreneurship Prize finalist 2023

° EDUCATION

° Institut Francais de la Mode 2023-2025

Master of Arts in fashion design specialized in Accessories Design

- **Vitorino** factory trip in Porto for IFM x **Ba&Sh** shoe contest 2024
- **GAB bag** factory workshop in Florence 2024
- **Coperni x IFM** thinking project with management student around flagship store 2024
- **Loewe** bag menswear project with IFM 2024
- Workshop shoes, gloves, jewelery with Aurore Nallet, Sarah Levy, Elsa Sen and Marco Panconesi 2024
- Workshop with the **Balenciaga** archives 2023
- Bags knowledge workshop week at **CTC- Lyon** 2023

° Institut Francais de la Mode 2020-2023

Bachelor of Arts in Fashion Design

- Opening of **Paris Fashion Week SS24** 2023
- **Maison Rabih Kayrouz** internship 2022



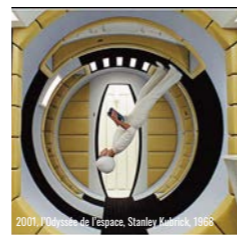
@julespetitdegos

Master Graduation Project



Fly away

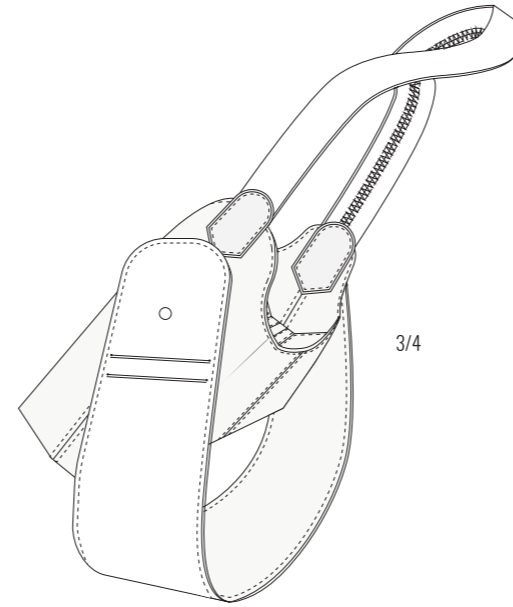
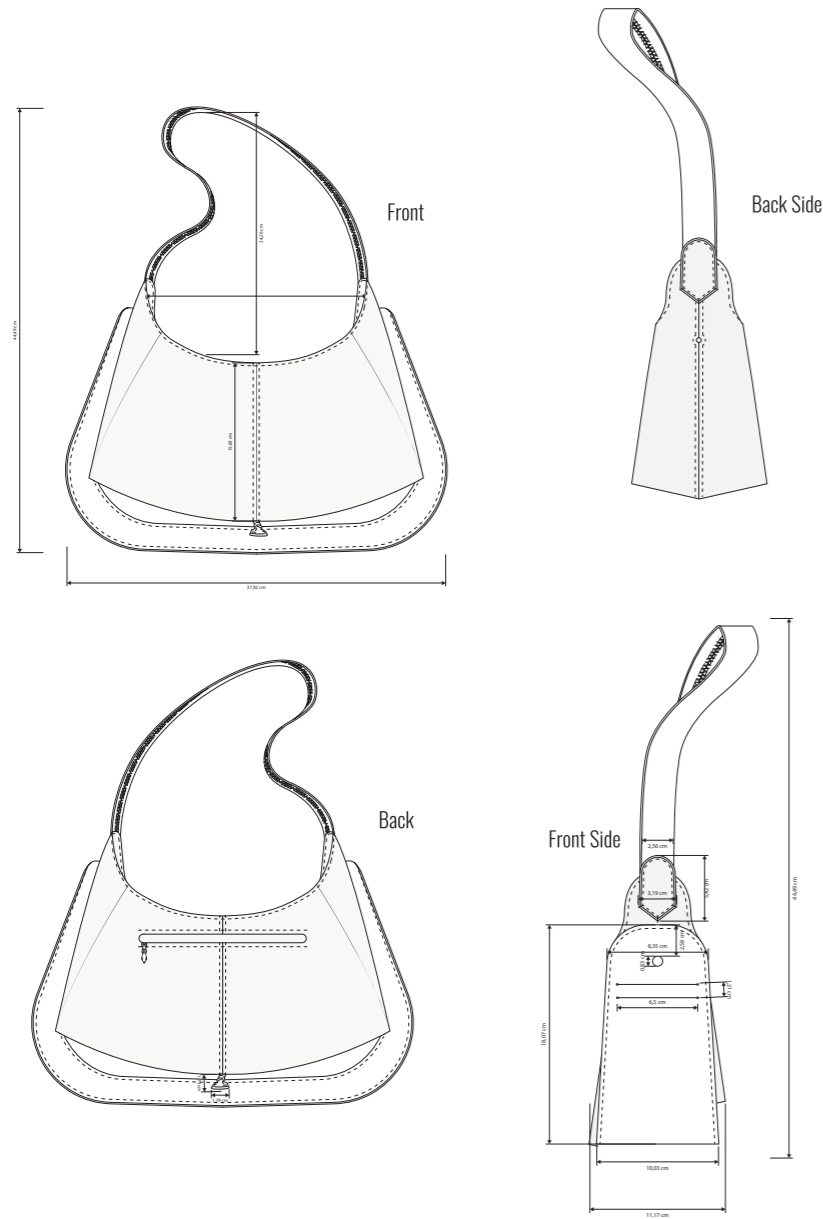
Moodboard



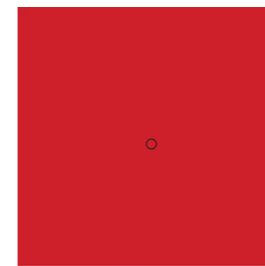
What would happen if your bags were flying away?



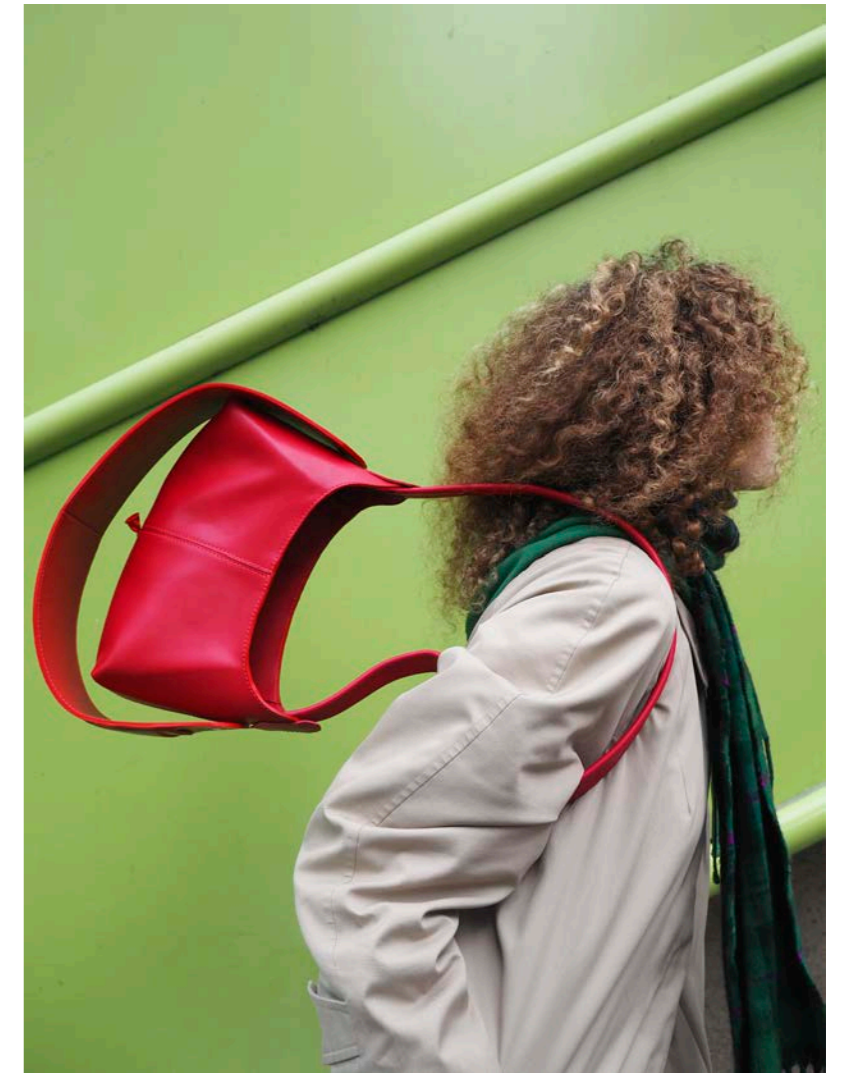
Red Hobo is a red calf leather bag composed of a central bag mounted on an aluminum-sheathed strap and a moving band.



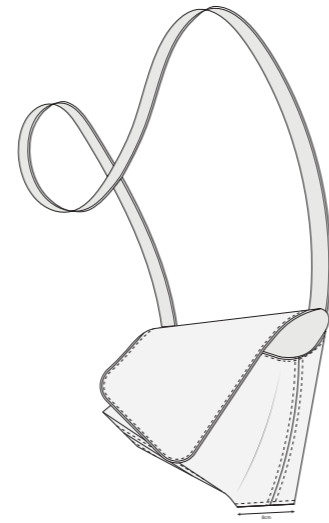
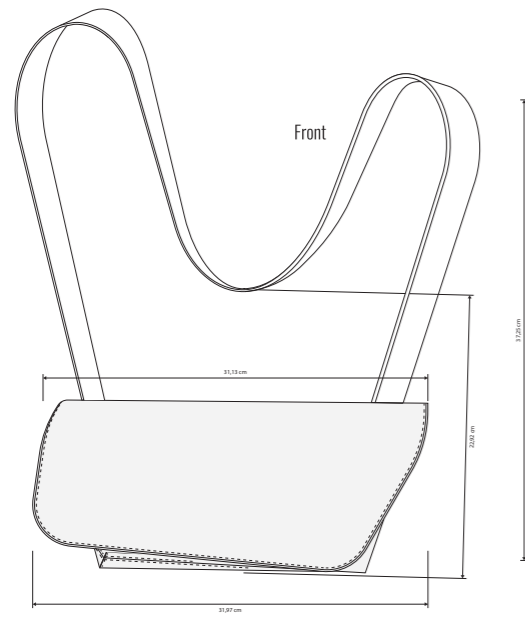
Red Hobo, red bag, like a child's dream,
In calf leather, soft, it does seem.
On an aluminum strap, it floats and it spins,
Gravity, for it, is just one of its sins.
A band, always there, to hold it tight,
Brings it back to earth, without a fight.
First «Fly Away» bag, it paves the route,
My accessories soar, beyond a doubt.



PANTONE®
18-1662 TCX
Flame Scarlet

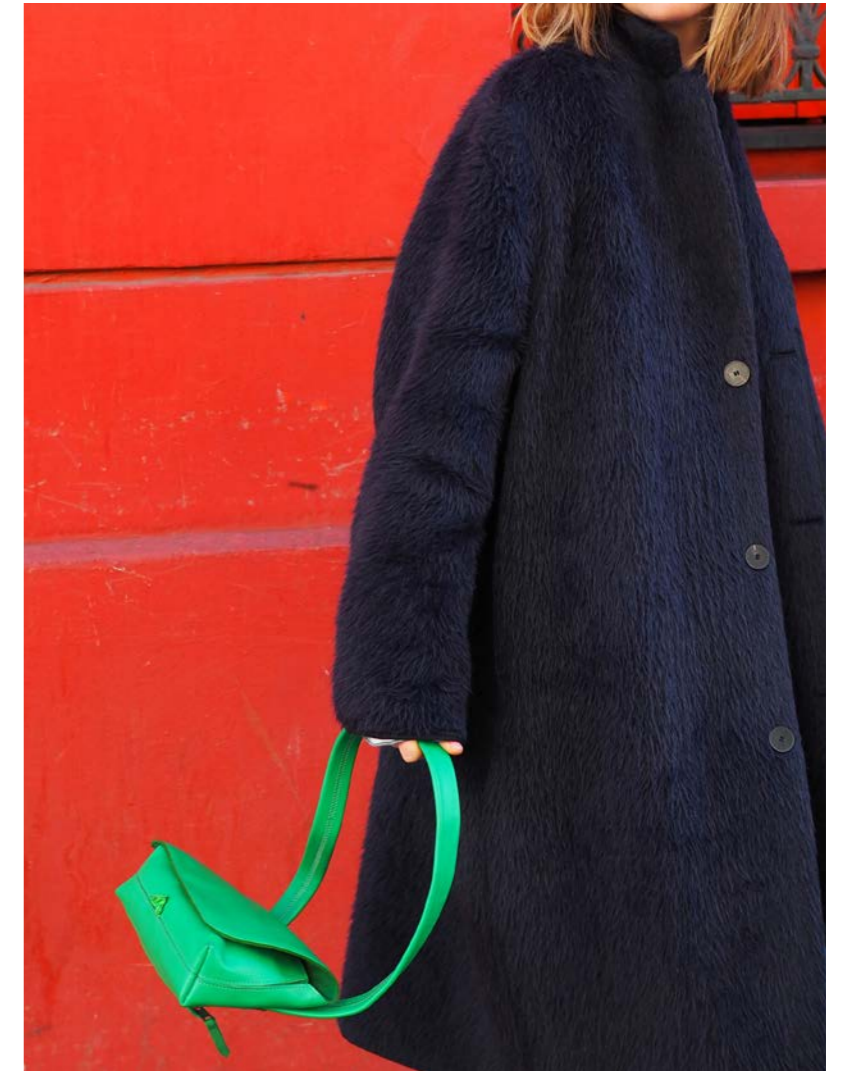
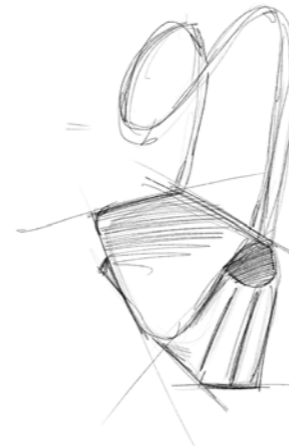


Green Flap is a magical green leather bag with a shiny aluminium strap that helps it float in the air.



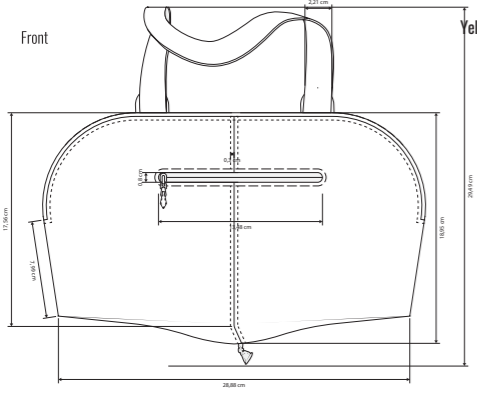
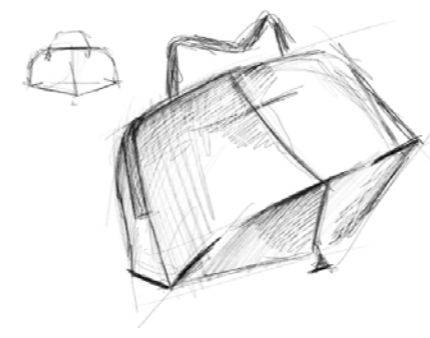
3/4

A Green Flap, so sleek and bright,
Dances beside you, a joyful sight.
Its leather pouch, a treasure trove,
Holds your secrets, all you love.
An aluminum strap, a silver thread,
Lifts it to the skies, like a balloon, it flies away.

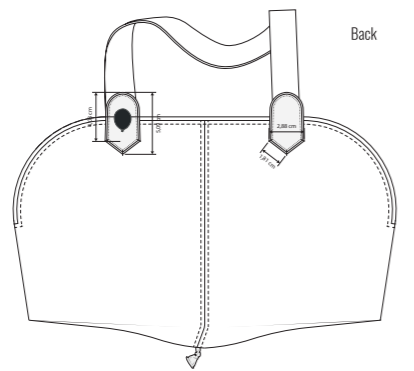


FLAP

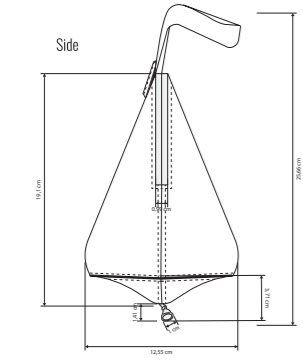
#2



Yellow Bowling bag, with its leather-wrapped aluminum handle, floats horizontally like a helium balloon caught in the wind.



Back

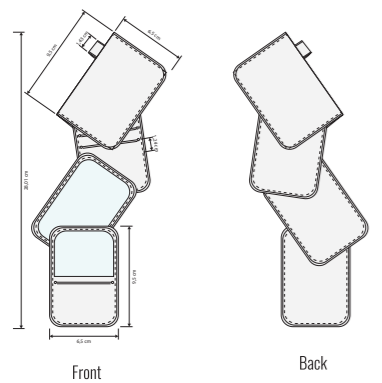


Side

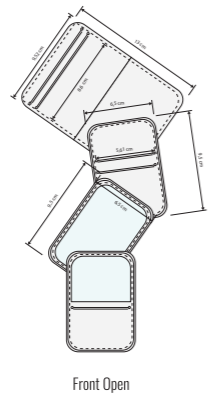
Yellow Bowling. born under a leather sky,
Like a golden balloon, it defies gravity.
Suspended by its aluminum handle, It sails through the air, free and carefree.
A large pocket, spacious and deep. And a small one, zipped and discreet.
Horizontal, it dances with the wind.
Dreaming of Cleveland skies, a memory alive.

3/4



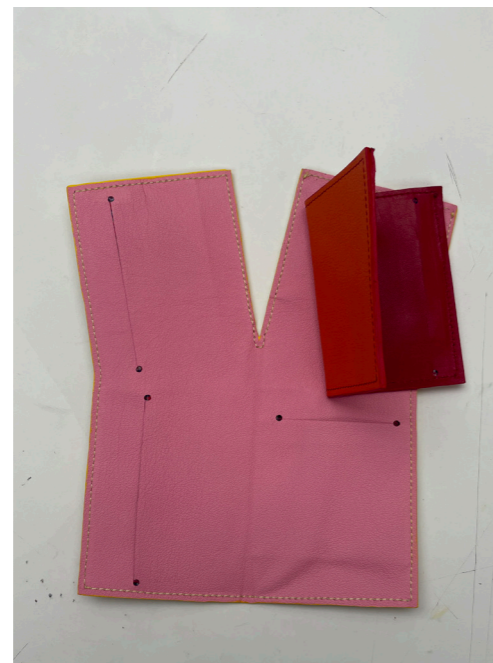
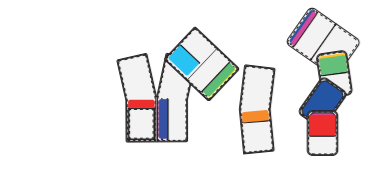
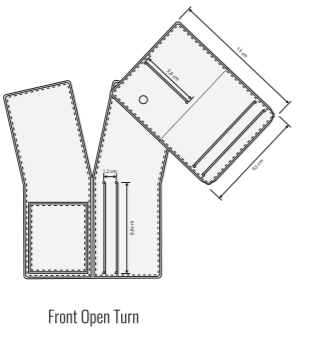
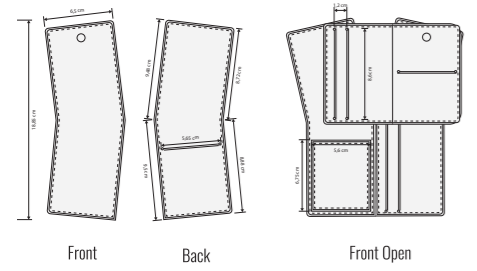


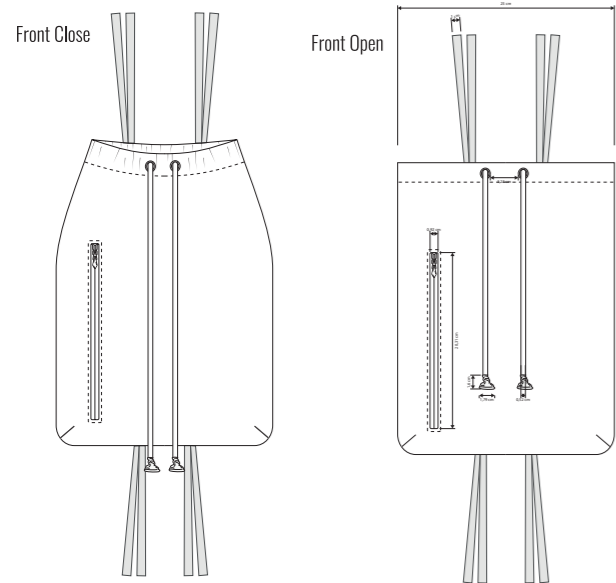
Pink & Purple Wallets are a set of small leathersgood.



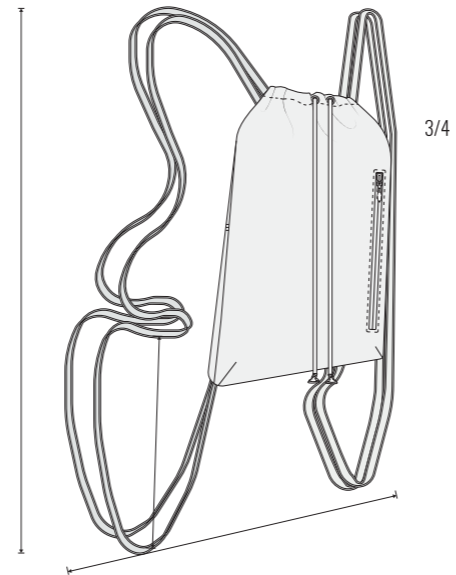
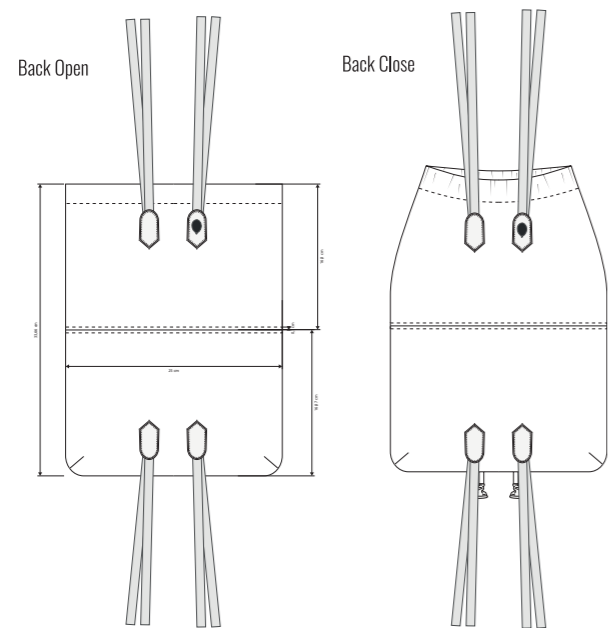
Pink & Purple duo of dreams, in hues soft and bright,
 Pink and Purple, defying gravity's might.
 Pink, a canvas of seven, a colorful sight,
 Spread across panels, a delightful sight.
 Purple, a spinner, a celestial dance,
 Six slots for cards, a magical chance.

Like balloons adrift, they seem to take flight,
 A playful pair, a wondrous sight.





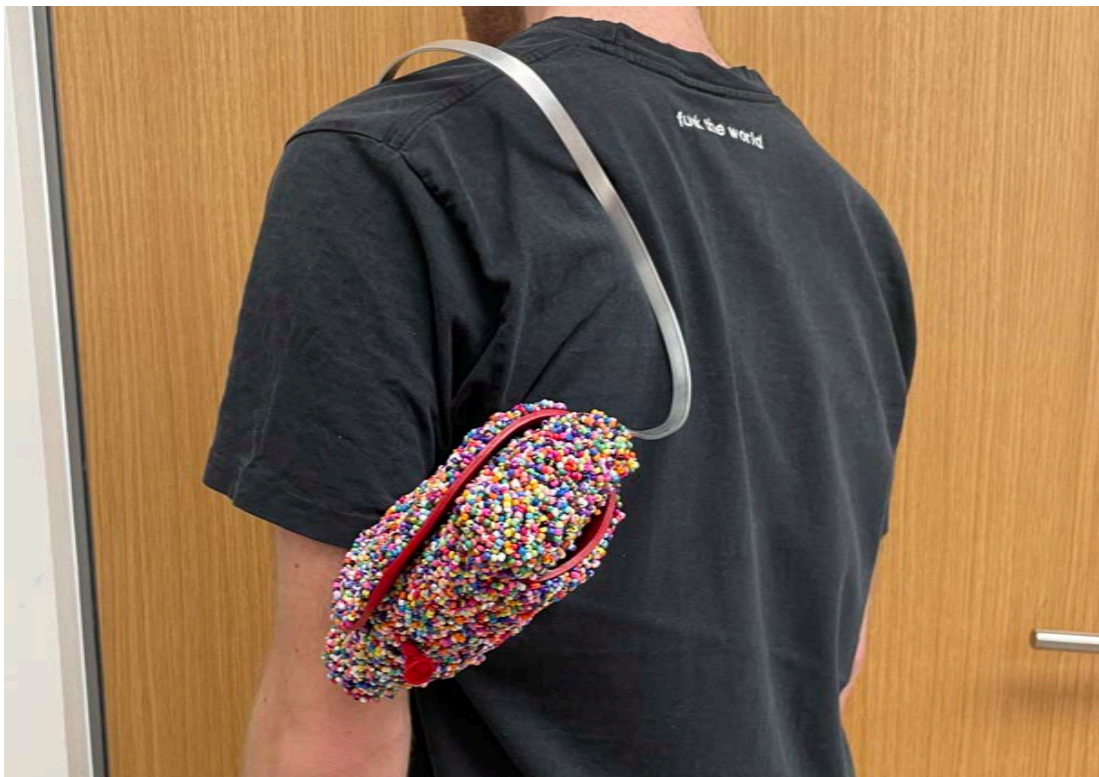
Cleveland Gym is a nylon gym bag printed with a pattern that lets the imagination create a cloud of balloons. When worn, this gymbag will float above the mannequin thanks to its sheathed aluminum straps.



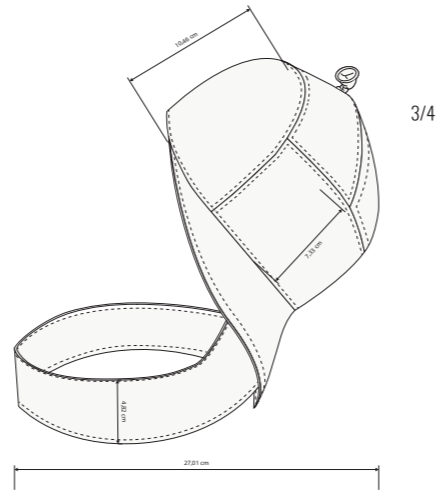
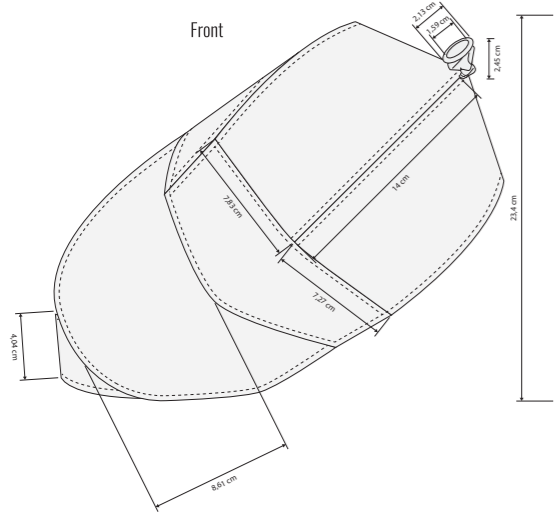
Cleveland Gym a sea of balloons, a dream takes flight,
 Cleveland Gym, where spirits soar so light.
 A vibrant pattern, a festive sky,
 «Fly Away.» a whisper, reaching for the sky.

It floats, it dances, light as air,
 A tribute to Cleveland, a moment to share.
 Aluminum straps, a hidden design,
 A subtle support, a flight divine.

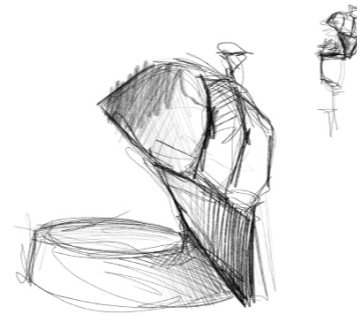




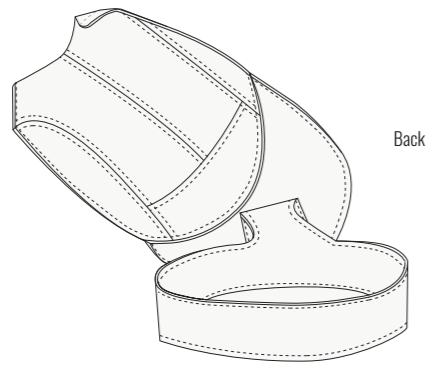
Orange Cap, is a cap made of latex and reinforced with crin.



3/4

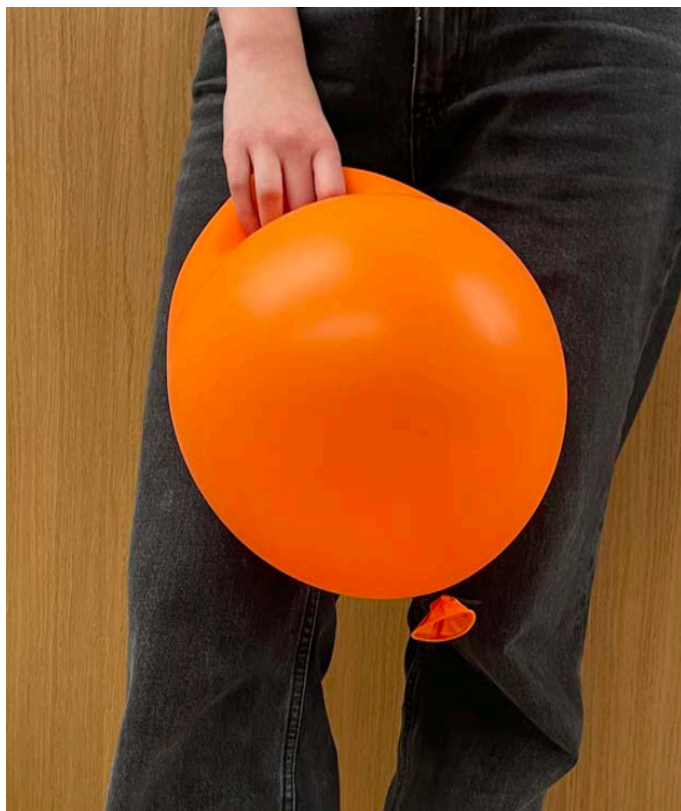
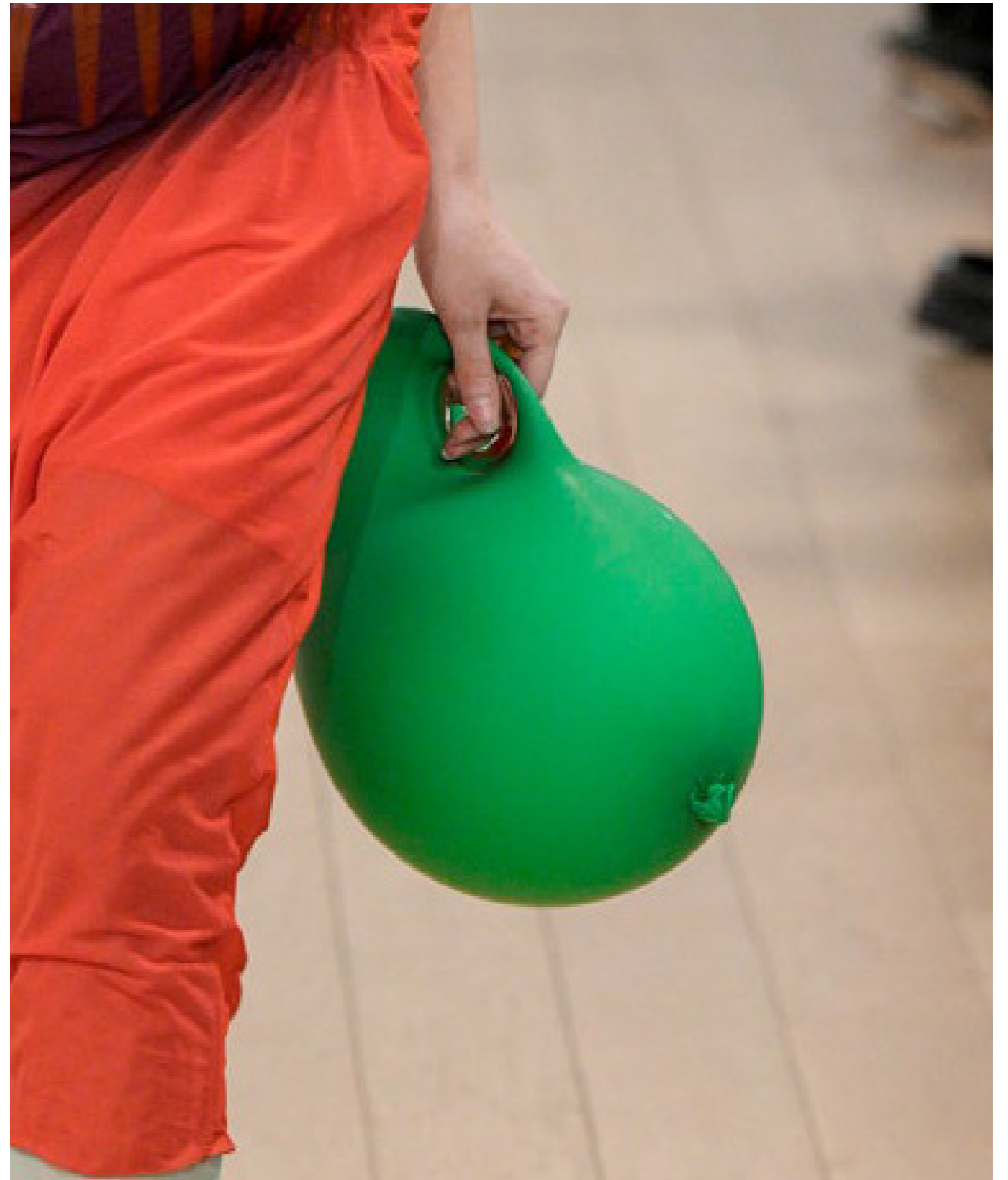
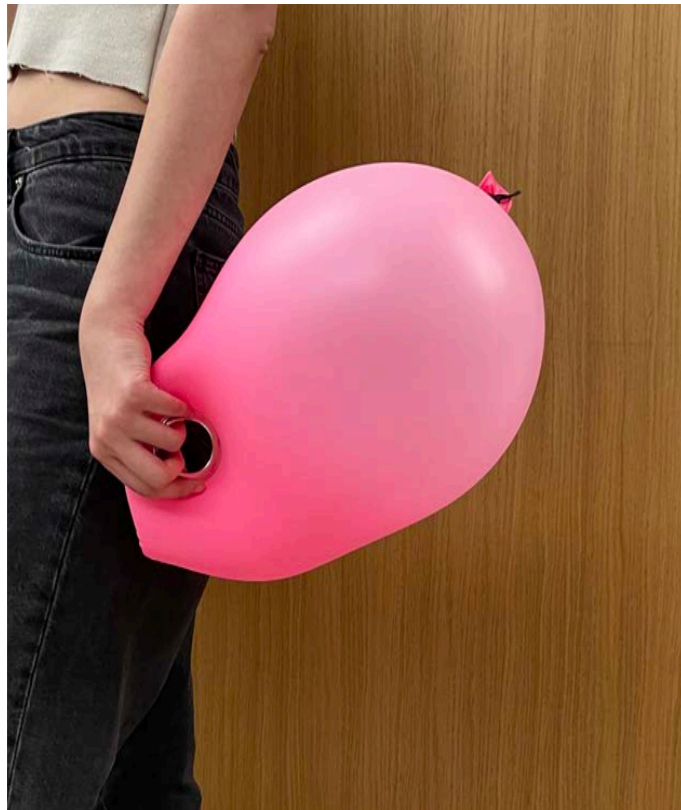


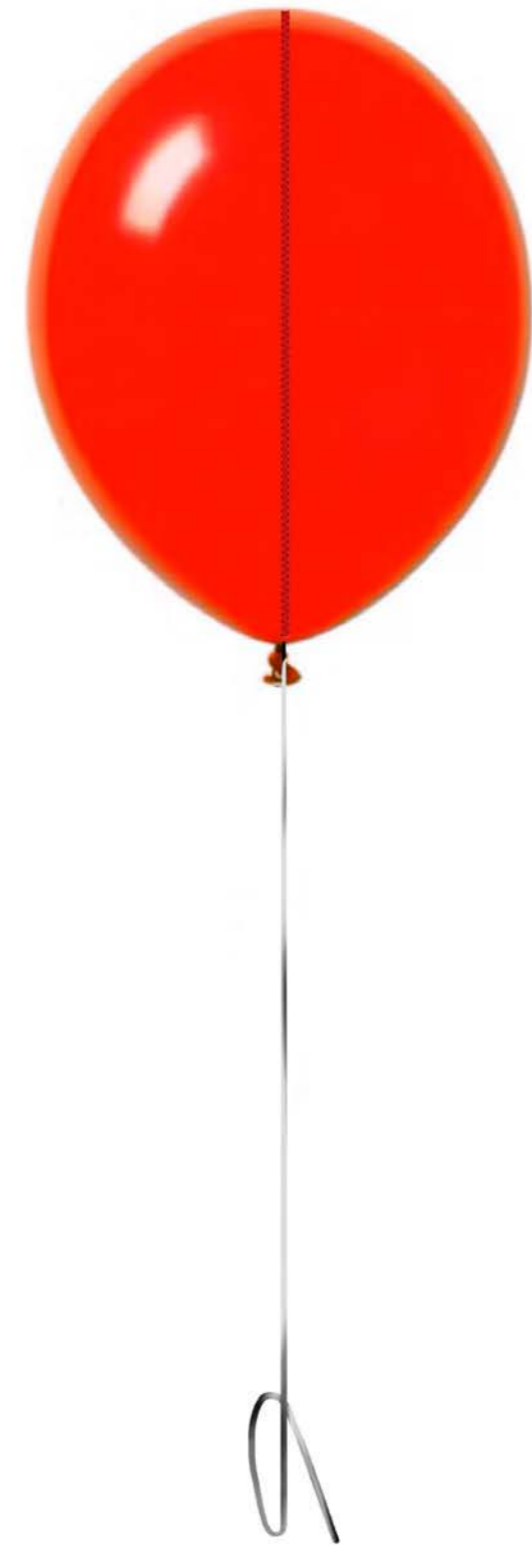
Orange Cap, , like a helium-filled balloon,
Soars from the head, a whimsical cartoon.
Its latex form, by crin's strength held,
A second «Fly Away» tale, boldly spelled.
A flight of fancy, a body's release,
As the cap takes wing, a symbol of peace.



Back







LE BALLON ROUGE

#9



FLY AWAY

LOEWE

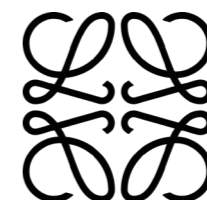
LOEWE

institut
FRANÇAIS
de la
MODE

Master of Art in Accesory Design

FOLTE

Jules Petit Degos



«Developing an exhaustive bag design work that translates Loewe's values, universe and heritage into a personal contemporary proposal for men.»

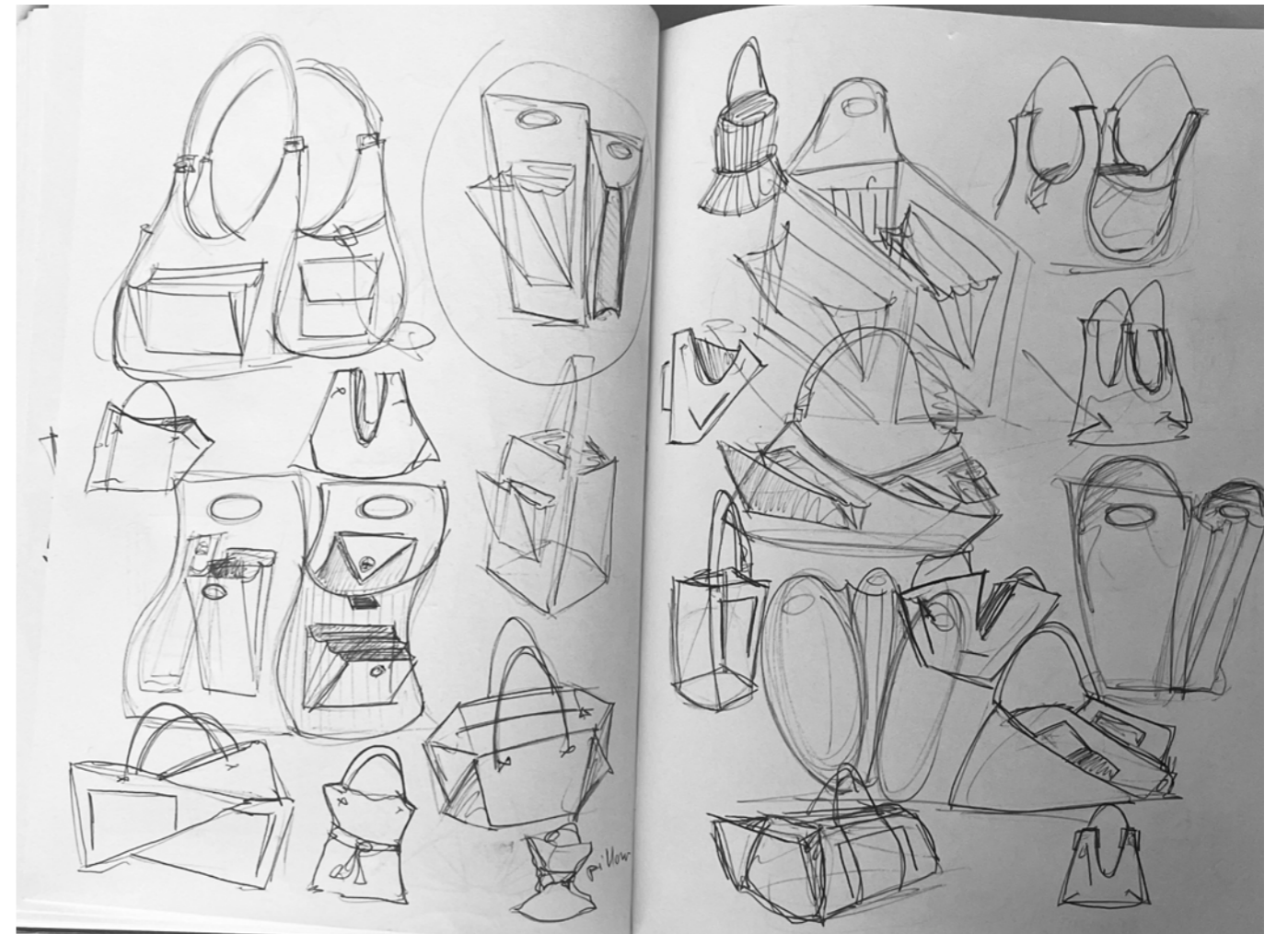


L'HOMME LOEWE



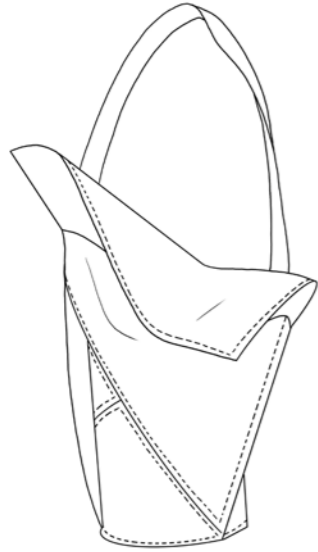
FOLDS

AUGUSTE HERBIN

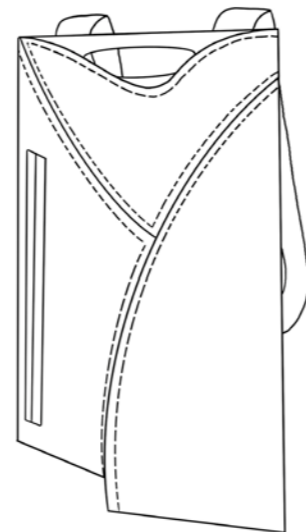


PROTOTYPES

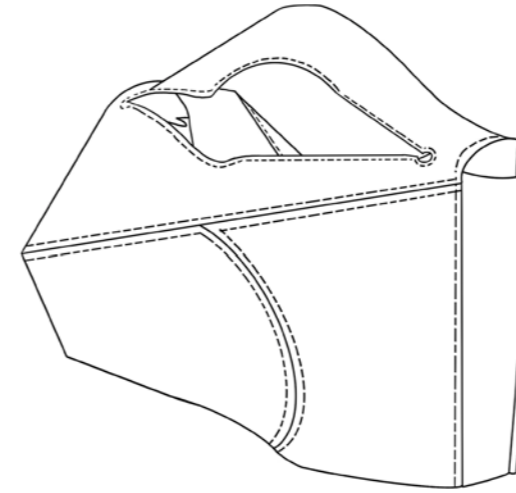
#1



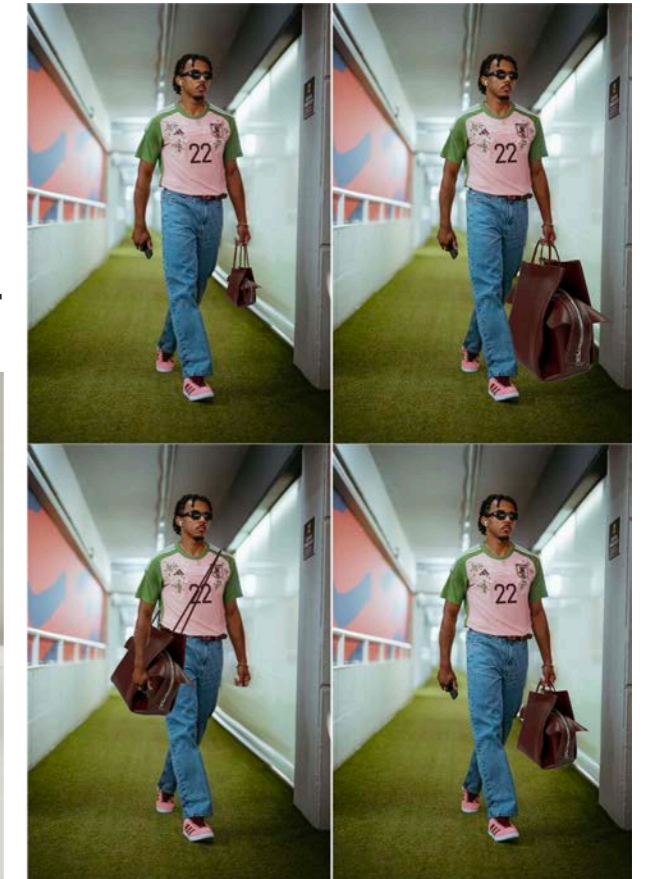
#2



#3



#4



FINAL BAG : FOLTE



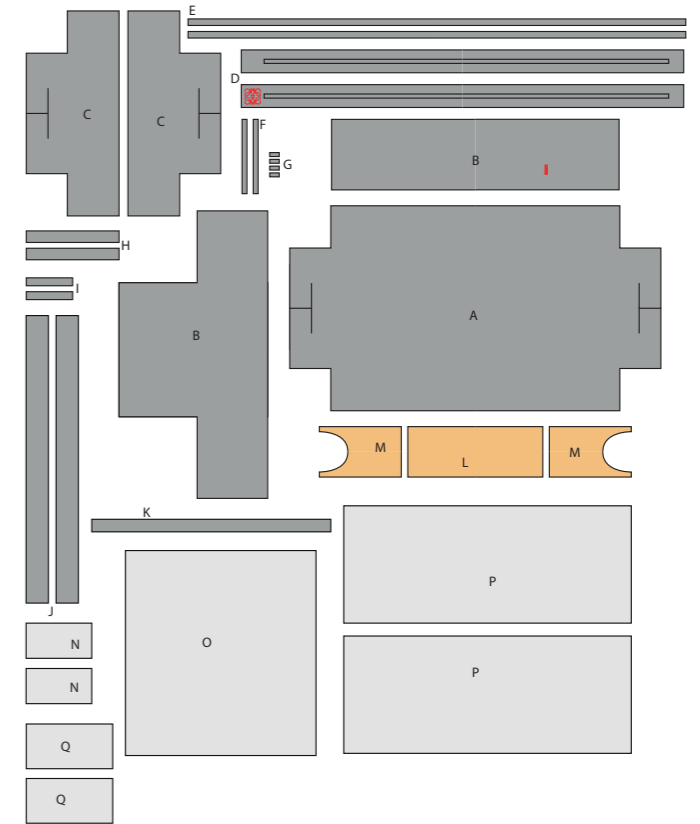
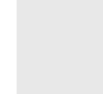
- A Bottom part x1
- B Sides (one with pocket) x2
- C Parementure intérieur x2
- D Bande zip x2 (1 avec laser)
- E Straps longues x2
- F Straps courtes x2
- G Passants straps x4
- H Passepoils inte x2
- I Passepoils exte x2
- J Parementure poches cote x2
- K Bande accroche inte x1



- L Salpa 1.2mm central x1
- M Salpa 1.2mm cotes x2



- N Doublure pp exte x2
- O Doublure poche centrale x1
- P Doublure poches cote x2
- Q Doublure pp inte x2



Urban smoke Loewe leather

Reinforcement

Light grey cotton lining

Laser engraving (Puissance 40)

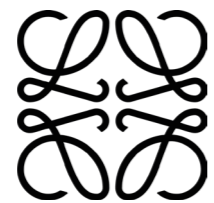




Master of Art in Accessory Design

FOLTE

Jules Petit Degos



IFM x Ba&Sh shoe contest



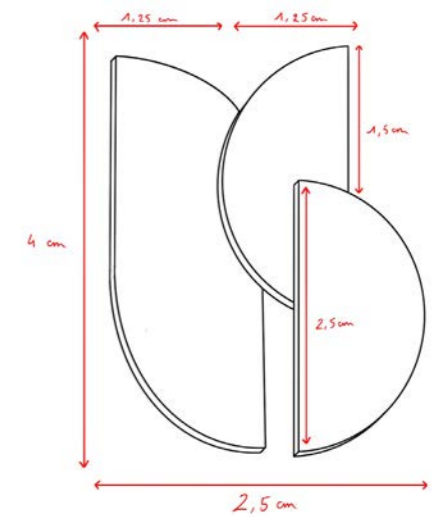
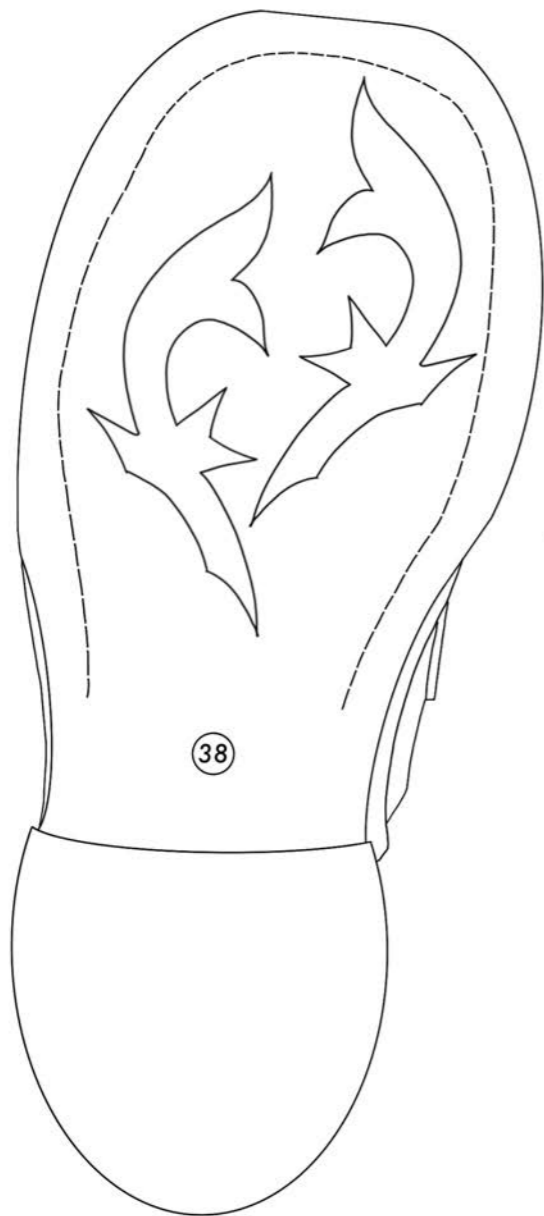
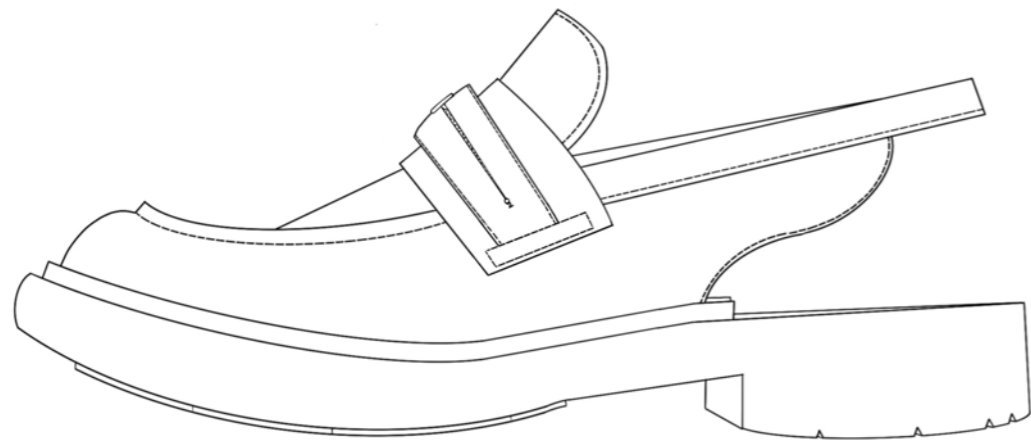
HUELLA





THOMAS MAILAENDER







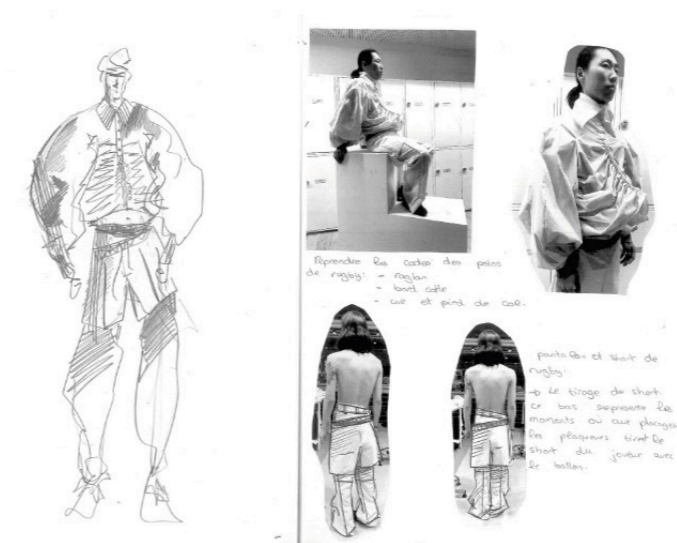
HUELLA



SCRUM

Bachelor Graduation Project



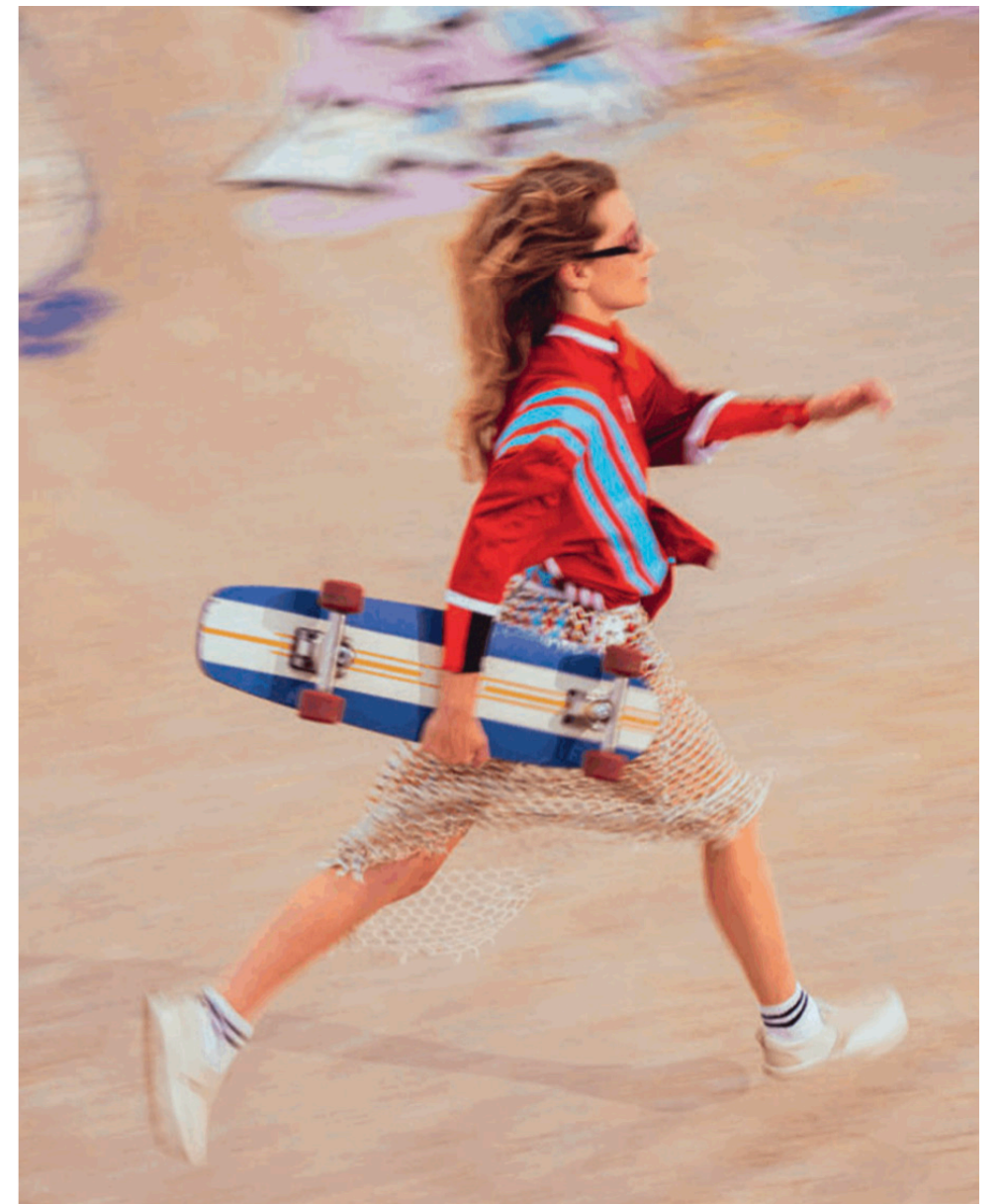




«ALGORITHMIC TWINS» EMILIA MIRANDA IDIENS



SCRUM LAMPOON MAGAZINE



MADAME FIGARO SPECIAL JO



SCRUM

Bachelor Graduation Project

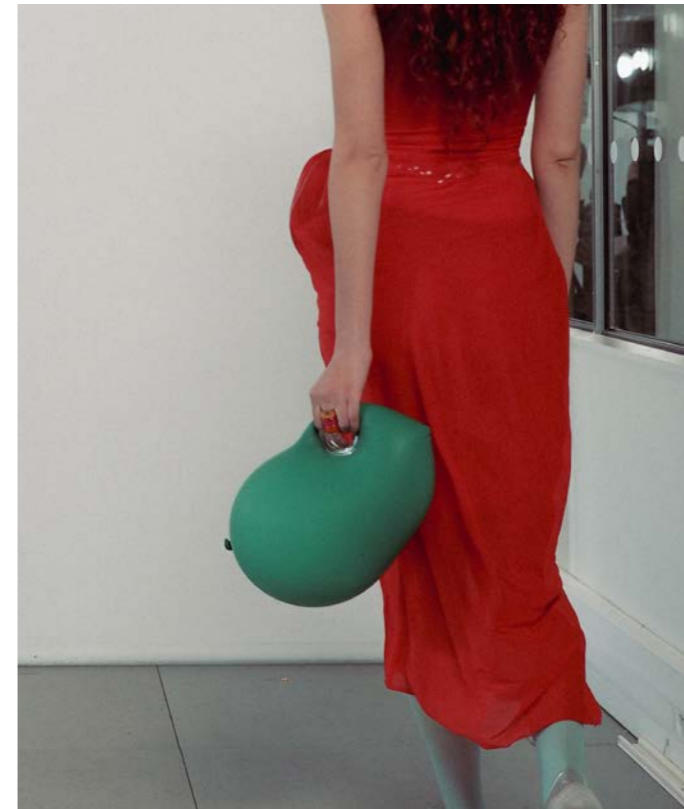
SS24 SCRUM for Institut Français de la Mode



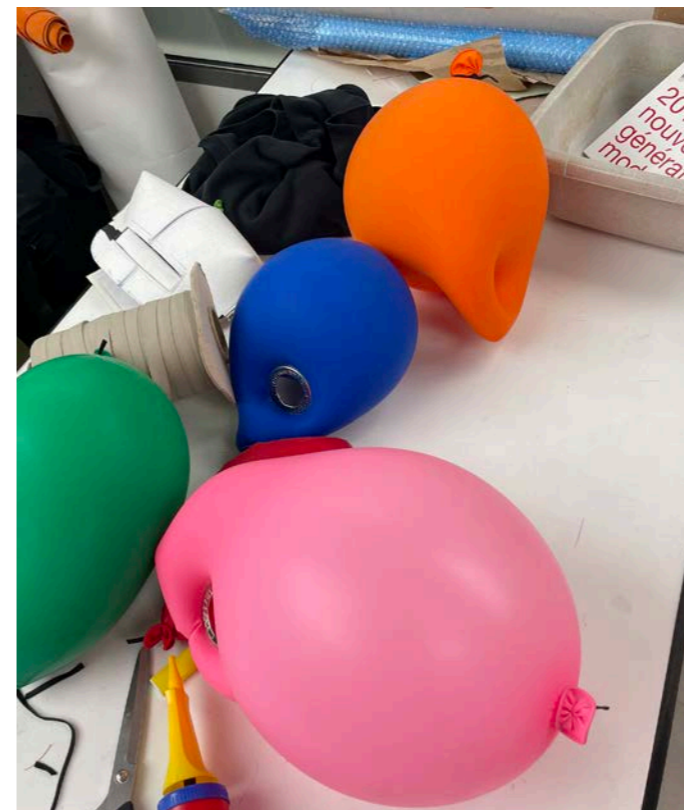
COLLABORATIONS

Collaboratives projects with IFM students





Sara JAMSHIDILARIJANI



Anthony IACONES



Steven CHEVALLIER



Darius BETSCHART

